



## Polypipe

A high performance range for hot and cold water supply and heating systems

**WRAS**

# Advanced technology in the making

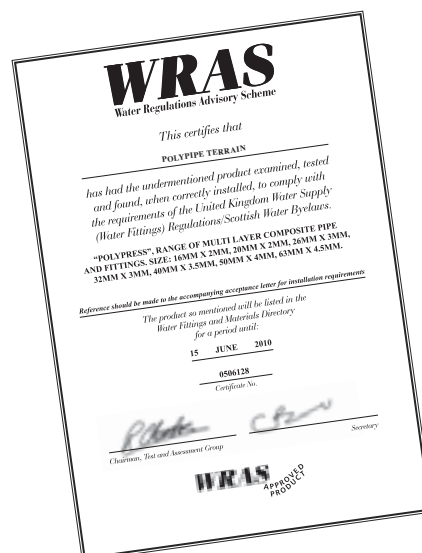
The new Polypress system can be used for potable water, hot and cold plumbing and heating systems. It incorporates a triple layered pipe consisting of cross-linked polyethylene and aluminium with a large range of fittings to ensure quick and easy installations across the applications.



The system combines the advantages of metal (low linear expansion) and plastic (high corrosion resistance). The tubing offers advantages to end users of dimensional stability. Different press contours offer unlimited possibilities - the fittings are "intelligent" allowing the system to be pressed using three different press contours.

The benefits are:

- WRAS approved; Certificate no. 0506128
- Suitable for potable water, hot and cold plumbing and heating systems
- Lightweight and easy to install
- Equivalent performance but more economical than copper
- Combines rigid pipe with flexible pipe in one system
- Mechanically pressed joints
- Intelligent product so bends stay in place
- Optimum flow properties
- Corrosion and chemically resistant
- Withstands operating temperatures of up to 95°C (long term) 100°C (short term)
- Withstands operating pressures of up to 10 bar





## Three press options provide unlimited opportunities

Intelligent fittings (16, 20, 26 and 32 mm) allow the Polypipe multi-layer composite pipe system to be pressed using three different press contours (F, TH and B).

Polypress pipes, in sizes of 40, 50 and 63 mm, must be pressed using F press contour only.

## The press technique

Fittings are installed using the press technique. Only four steps are required to ensure a proper installation of the fittings.

## Special pressing jaws

The required press jaws and loops are compatible with standard press tools and are easy and quick to insert into the tool. It only takes a few simple steps.



F, TH and B press contour: For a quick and easy press of pipes, ranging in size from 16 to 32mm.



## Multi-layer composite pipes with superior performance

The Polypress composite pipe consists of a laser welded aluminium core and an inner and outer layer of cross-linked polyethylene, permanently bonded by adhesive. The combination of layered materials used in the Polypress pipes create a high quality, durable and reliable system ideal for potable water, hot & cold plumbing and heating systems.

Critical advantages for water supply piping systems

- Hygienic and toxic-free
- Incrustation-free

Critical advantages for heating systems

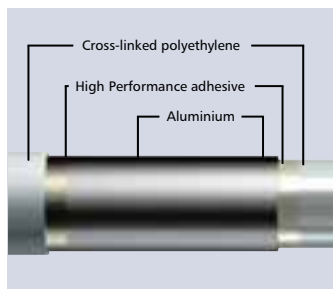
- 100% oxygen-tight

Compatible with standard press tools

- Press jaws with press contours F, TH and B can be used for pipe sizes ranging from 16-32mm.
- A press loop and insert press jaws with press contour F will be needed for pipe sizes 40mm, 50mm and 63mm.



Making press connections

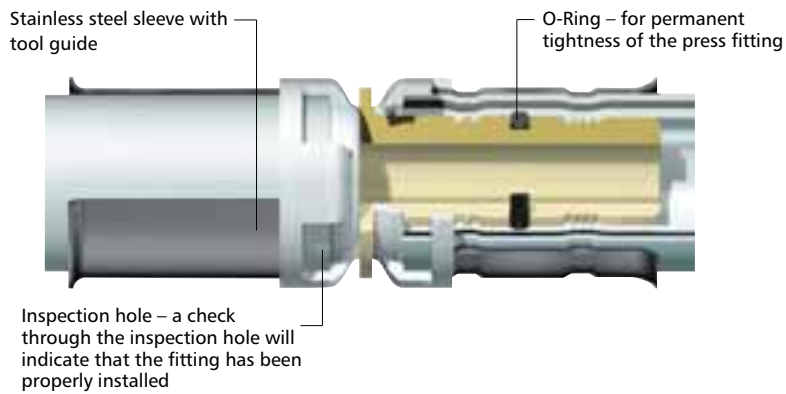


Metal and Plastic composite pipe

**WRAS** Approved



## Perfection in fitting technology and engineering



### Finest materials

Our fittings are made of PPSU, a high quality material tested comprehensively. Crosspieces in the fitting structure increase stability for dimensions from 16 mm to 32 mm.

### The fittings

Fittings provide reliable connections between pipes. Included in each fitting is an O-Ring, fixation ring and compression sleeve that combine to fit perfectly together.



**Plastic to Plastic PPSU:** high quality plastic offers economic advantages

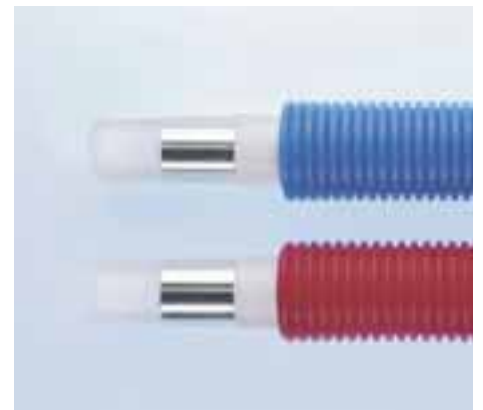


**Metal to Metal, Brass/Red Brass:** whenever (dezincification-resistant) metal is needed for threads and manifolds



Making press connections

# Cost effective multi-layer composite pipe system for heating installations



Polypress was specifically developed for potable water and hot and cold water heating applications. Seven sizes of pipes range from 16-63mm. One of the characteristic features of the Polypress pipe is a thin aluminium layer which fulfils the requirements for dimensional stability in heating installation. A range of brass bodied adaptors are available which allow the Polypress products to be connected to other existing materials.

## Polypress sheathing

The system has the option of a protective sheathing that will provide added sound insulation and help prevent condensation on the multi-layer composite pipe. The system combines extra comfort with reliability – even in the most challenging installation situations.



# Flexibility in design speed and ease of installation



## Key benefits for the designer

Whether designing potable water, hot and cold plumbing or heating systems or a combination of all three, the Polypipe system is a one stop solution. The multi-layered, composite pipes and large range of fittings ensure a quick, reliable and flexible installation.

## Key benefits for the contractor/installer

Polypipe is a fast, efficient and cost effective solution that uses familiar press fitting techniques currently widely used in the industry. A range of fittings and accessories are available to allow Polypipe to be easily incorporated into both new and existing systems.

## Technical

To support this range of products there is a Technical Services Team. This enables us to provide detailed specification and installation support including keeping up to date with industry regulations and specification changes.

# Commercial Piping Systems



## Polypipe Terrain

New Hythe Business Park

College Road

Aylesford

Kent ME20 7PJ

Tel: 01622 795200

Fax: 01622 716796

[commercialenquiries@polypipe.com](mailto:commercialenquiries@polypipe.com)

[www.polypipe.com](http://www.polypipe.com)